

BAR BENDING MACHINE



UNI 50B



UNI 40B



Products Description

Automatic bar bending machines (UNI 40B & UNI 50B) offered by us are designed to bend the bar up-to 6m.m. to 42 mm. These bar bending machine (UNI 40B & UNI 50B) are served in the capacity of 4.5kw/6HP Power. These machines are high on demand for Construction Job Site applications. The range of bar bending machines we offer renders smooth functioning for longer time period. In addition, the high performance of our reinforced bar bending machine with working rotation speed. UNI 40B & UNI 50B is powered by 100% copper winding 4.5kw/6HP TEFC Induction electric motor running on 4P, 415v. Our fully automatic Bar Bending Machine is operated through manual button as well as automatic button and delivers stable performance with optimum safety.

Advantage:

1. The latest heavy-duty gear box assembly, spindle is a maintenance free.
2. Column and spool adopt high quality alloy steel, high temperature quenching treatment, higher hardness, more wear-resisting.
3. Increase heavy of disc and square steel, never deformation, bend bar more accurately.
4. Enclosed electric cabinet, moisture proof, prevent dust, prevent leakage.
5. Thickening the dashboard, increase the integrity of the machine and longer service life.
6. Double-sided operation, so that people can operate in tow realizations conveniently and quickly.
7. Rotary oil-way of work station makes add oil more conveniently.
8. Advanced Electrical control panel with brake motor increases performance and durability.
9. Different Bending Bushes designed for various bending radius.
10. Ensures high durability at its user ends, effectively increases the production capacity.
11. Various sizes of bushes for bending diameter of bars.
12. Cost effective bending machines, used for bending reinforcement bars and different kind of round bars..

BAR BENDING MACHINE



Model Type

- * UNI 40B & UNI 50B (Automatic)
- * POWER: 4 Kw/ 5 HP & 4.5 KW / 6 HP
- * SAFETY: IP44, IP54, IP55 (dust proof)
- * EFFICIENCY: 81 %
- * VOLTAGE OPTIONS: any voltage from 220 to 440 / 220-380 (switchable)
- * FREQUENCY OPTIONS: 50Hz / 60Hz

Special Features

Save Labor: The Performance switch is automatically returned



Beauty: Gum Material Electrical door



Safety: Protective Covers is thick.



High Sensitivity & Long Running: Break Motor, Bending bar without inertia bending angle accurate, Can quickly automatically return. Fully enclosed housing, gears and bearings can operate for long periods under full lubrication and dust free conditions



Durable: The disc, the pile and the pile cap are all made of high quality alloy steel, which is treated by high hardness heat treatment.



Easy to Adjust: Patent Structure, adjustable square steel, Plug- type positioning disc, easy to adjustable angle.

Products Parameters

Description	Metric	
	UNI 40B	UNI 50B
Model	UNI 40B	UNI 50B
Operation	Automatic	Automatic
Bar Bending Dia.	upto 32 mm TMT Rebar & 35 mm Plain Bar	42 mm TMT Rebar & 45 mm Plain Bar
Type of Motor	Copper Winding (Brake motor)	Copper Winding (Brake motor)
Motor Power	4 KW / 5 HP	4.5 KW / 6 HP
Motor Rotation Speed	1440 R/min	1440 R/min
Speed of Working Disk	8-11 R/min	12 R/min.
Noise Value (1m away)	≤80dB(A)	≤80dB(A)
Weight	440 Kg.	490 Kg.
Dimension	850*800*880 mm	740*940*730 mm
Production Capacity	2Ton P/h	2Ton P/h

BAR CUTTING MACHINE



UNI 40C



UNI 50C



Products Description

UNICORN EQUIPMENT A UNIT OF M/S GLOBAL LINKS is a unique name, which is engaged in presenting a wide range of bar cutting machine. This brings duty bar cutting machine with strong construction and high quality components. Rebar Cutting Machine Mainly used for construction site for flawless smooth functionality and easy operations.

Our UNI series Products (UNI 40C, UNI 50C) can be used efficiently to cut plain carbon steel, hot rolled steel, screw bar, flat rebar, square and angle bar which are widely used in Construction Site. We back it up with local after sales service in INDIA and readily available spares parts. The Shearing blades are made of high tensile cutting steel with heat treatment to ensure long blade life. It's small in size, Light in weight, reliable and compact structures. These machines are portable with provisions of wheels. We back it up with local after sales service in INDIA and readily available spares parts all over world.

Advantage:

- Unicorn Cutter (UNI 40C & UNI 50C) adopts Gears, Shafts, Connection rod and Blades made of high-quality alloyed steel with required heat treatment (quenching/ tempering / high frequency) and 15mm thick external case to ensure reliable performances also under heavy loads and long working life.
- Thick Blades (4 edges) to ensure accurate cutting with all kinds of steel bar (square blade or moon-shape blade option with press-spring) & Blade can be replaced easily.
- Clutch System is provided for your safety.
- Cost effective, Compact machine body with Reliable quality, Durable and Easy to operate.
- Reduce Labor cost and Low maintenance.
- Special tool steel cutting blades are carefully heat treated for a longer cutting Life.
- Clutch System is provided for safety Purpose.

BAR CUTTING MACHINE



Security: Thickening Protective Cover



Convenience: Humanized feeding wheel



Special Features

Copper Key Gear :

The whole machine gear and the tooth case are all cast by steel key, the large modulus gear rotates more strength, and the service life is longer



ARC Cut-Off :
Specific up and down knife way, ARC cut off the steel, Efficient and fast, steel head can be directly set silk.



Safety : Auto cut off circuit with 3 phase light indicators



Manual Foot Pedal Type



Technical Parameters

Description	Metric	
	UNI 40C	UNI 50C
Model	UNI 40C	UNI 50C
CUTTING CAPACITY	≤ Ø 6-32 mm TMT Rebar	≤ Ø 6-42 mm TMT Rebar
TYPE OF MOTOR	Copper Winding Motor	Copper Winding Motor
MOTOR POWER/ RPM	4 KW / 5 HP	4.5 KW / 6 HP
MOTOR SAFETY	IP44, IP54, IP55	IP44, IP54, IP55
MOTOR ROTATION SPEED	2860 R/min	2860 R/min
WEIGHT	430 Kg.	535 Kg.
EXTERNAL DIMENSIONS	1300*450*680 mm	1430*470*750 mm
PRODUCTION CAPACITY	2.5 Ton /Ph	2.5 Ton /Ph

STIRRUP BENDING MACHINE



UNI 20



UNI20 D



Products Description

Stirrup bending machine has another name called ring making machine. This machine is with a wide range of being used in building and construction industries. Stirrup making machine to some extent is one kind of bar bending machine, but it has some functions that the normal bending machine does not have. Stirrup bender can bend bar, rebar, reinforcing bar and steel within 180° into different forms according to different settings, for example, triangle, quadrangle, pentagram, polygon and ring. Besides, this machine can also bend metals into “U” shape. That's why stirrup bending machines are also called U-bending tools. Unicorn automatic Stirrup Bending Machine is Most Durable, Rugged, Stable Bending Machine to bend dia from 4m.m to 20m.m. Bar Bending machine (GF-20) is specially designed for heavy Duty rebar and high on demand for construction job site application. Such as simple bending process, high work efficiency, convenient angle for adjustment and neat bending results.

The function of stirrup bending machine is to bend bars into varieties of shapes according to different requirements, such as rectangle, square and other simple shapes. Unicorn automatic stirrup bending machine can bend round steel bar with diameters from 4mm to 20mm. Both the processing scope and the external adjuster are optional, so this type of machine is quite convenient to use.

UNI 20 & UNI 20D are similar to each other. Their structure is relatively simple and their work capacity is relatively lower compared with the other two sizes of stirrup machines. But they are very flexible to operate. These bar machines have a button that can switch bending angles from 90° to 135° directly, because these two arcs are more often being used. Besides, our Unicorn stirrup machines are able to bend bars into any other angles with 180°. Because GW20 & GF20 are semi-automatic, they can be easily operated by hand to decide what arcs you want to make. GF20 is the machine with a numerical control panel from a wide range of round bar with diameters between 4mm and 20mm. You can set a certain angle within 180° on the control panel. It is easy and reliable to operate. This automatic stirrup bender can save labor and improve efficiency of processing bars.

Application :

GW20 & GF20 Steel bar bending machine can be used efficiently to bend ordinary carbon steel, hot-rolled steel, screw bar, flat bar, square bar and angle steel bar which are widely used in machining and construction project.

STIRRUP BENDING MACHINE



Specifications

- Compact structure
- Stable performance
- Coppery motor
- Flexible and easy to operate
- Good steel work disk
- High working efficiency
- Strong durability
- Easy to maintain



Product features:

- Adopts the 10mm thicken top plate and high rigidity disk of iron, more durable.
- Equipped with international standard copper motor, ultra-high hardness accessory and adjustable fender.
- Adopt 6mm thick top plate, high rigidity disk, adjustable stylobate, the bending angle of more efficient.
- Equipped with international standard copper wire brake motor, narrowing inertance when the machine stops and bending angle is more accurate.

Technical Parameters

Description	Metric
Model No.	UNI 20 & UNI20 D
Bending Rebar Diameter	≤Ø20mm
Plate Diameter	360mm
Angel Feed	UNI 20 Manual & UNI 20 D Auto
Motor Power	4KW / 5HP
Voltage	415V
Present Angel	90° / 135°
Weight	320 KG

SCRAP STRAIGHTENING MACHINE



Products Description

Rebar Scrap Straightening Machine is useful equipment for construction sites. This Scrap Bar Straightening Machine is useful equipment to straighten the scrap bars, to be put to use again. It also has a provision to cut crooked ends of the bar so that it can be put into the machine easily. Backed by latest technology support, these bar scrap straightening system help in delivering optimum performance support as desired by the customers. Straightens tangled and twisted steel bar such as scrap. Extremely effective for civil construction as straightened steel can be effectively put back to use. These scrap bar straightening machine mainly used in construction site and steel processing plant.

Suitable for straightening hexagon bar, square bar, and Profiles brass bar convenience to change wheel easy and simple to adjust. Straightening machine is a metal bar, pipe, wire, and other equipment for straightening. Straightening roller straightening machine through the bars of pressure for them to change, such as straightness. There are two rows of straightening roller, the number of ranges. There is also two roller straightening machine, relying on two rollers (Concave Intermediate, hyperbolic roll) the perspective of the different changes in the diameter of the material straightening. Type of straightening of the main pressure, balance roller straightening machine, shoes roller straightening machine, anti-rotation bending leveler and so on.

This process of straightening machine is: the location of the roller straightening products and the direction of the movement as a point of view, two or three of the initiative is a pressure roller, driven by the motor for rotating in the same direction, on the other side of a number of A small roller was driven roller pressure, they are relying on a rotation of the rod or pipe so that the friction of the rotation. In order to achieve roller on the products required by the compression of this small roller at the same time or separately adjustments backwards or forward position, in general, the number of roller more after straightening products, the higher accuracy. Products have been biting into the roller, continue to make a straight line or rotary movement, making products to bear all aspects of compression, bending, squash, such as deformation, to reach the final straightening.

SCRAP STRAIGHTENING MACHINE



Features

- Smooth straightening & Auto cutting mechanism.
- Handy to operate and control the machine ensuring safety whilst in use.
- Hi- speed accurate straightening.
- The machine incorporates an overload value, which is designed to operate in case of overload.
- The machine runs on 3- phase power motor and is cost effective in power consumption
- Machine Helps in avoiding wastage of steel and encourages use of straightened smaller diameter bars in involved projects.
- Comes with hyperbolic straightening device that straightens bars without damaging ribs.
- Provides high work efficiency and safe operating environment.
- Avoid wastage of steel and re-use smaller dia. bars for your project needs
- Cutting Device to cut off extra lengths of bars
- Hyperbolic Straightening device straightens without damaging the ribs
- Easy to operation, low noise, low cost, high profit.

Application :

Suitable for straightening tangled/twisted steel bars

Technical Parameters

Description	Metric
Model	UNI 6 -14
Straightening Diameter	6 to 14 mm
Speed of Working	28m/min.
Cutting Space	500 - 600mm (can be longer)
Motor Power	5.5KW + 2.2 KW
Reducer	350
Weight	720KG

BAR THREADING MACHINE



UNI 600



Products Description

High production efficiency, it can produce 300-500 stringings per machine during working hours, prefabricated in advance, don't occupy construction period.

One-time molding - from the stripping ribs to rolling processing.

Simple and quick process, no failure operation, no pollution, no explosion fire hazards, safe and reliable. Using helix angle inside the head structure reduce tabrasion of roller and stripping ribs knife and other parts, improve high-precision steel screw's production.

Technical Parameters:

Description	Metric UNI 600
Suitable bar diameter	16-40mm
Thread Pitch	1.75, 2.0, 2.5, 3.0
Thread angle	75 degree or 60 degree, helix angle
Motor	3KW
Main Shaft Speed	40-62r/min
Max Rolling Length	100 mm
Packing	Iron frame and carton box
NW / GW	380 kg / 420 kg

BAR THREADING MACHINE



UNICORN EQUIPMENT
Build Your Way Better



CONCRETE CUTTER



Products Description

Unicorn gasoline concrete and asphalt road cutter is mainly used for road maintenance work, slitting and cutting concrete and asphalt road. It's widely used for cutting concrete, masonry, brick, asphalt, tile, and other solid materials. Our concrete cutter could be easily operated on cutting concrete and asphalt floor of road, bridge, parking lot, square, factories house floors and so on.

Unicorn walk behind concrete and asphalt road cutter uses first-class brand engine, honda gasoline engine which is reliable and durable. And you can also choose diesel engine. Unique designed steel water tank provides adequate water supply and perfect cooling effect and has less problems. We use laser welded diamond saw blade, the blade size is optional, you can choose 350mm, 400mm, 500mm blades, the cutting depth is adjustable, the maximum cutting depth is 180mm.

Special Features

- Gasoline engine and Diesel engine are available.
- Small volume, light weight, and portable.
- Simple clamping and convenient operation.
- 400mm,500mm blades are optional.
- Large matching power and quick cutting speed.
- High precision of positioning, good quality of cutting section.

CONCRETE CUTTER



Engine

13hp Honda gasoline GX390 engine is durable and easy to start. Honda brand engine is reliable and insure the machine less problems and better performance.



Blade

High quality Laser Welded Diamond Saw Blade for longer life, Max cutting depth is 180mm, Optional blade size : 350mm 400mm 500mm.



Blade Cover

Special designed blade cover is fixed on the frame by screw bolts. It makes the assembling and disassembling more easily.

Technical Parameters

Description	Metric
Weight (kg)	116
Dimension (mm)	L1260 X W540 X H1035
Cutting width(mm)	5-8
Max. cutting depth(mm)	500
Disk size(mm)	400-1000
Engine	Air-cooled, 4-cycle, Gasoline / Diesel / Electrical
Type	Honda GX390 / Greaves 5 HP / Electric Motor
Max. output kw(hp)	9.6 (13) / 22.5 (14)
Max. speed (rpm)	3600
Fuel tank (liter)	6.5 / 7.0
Water Tank Capacity(L)	35

REVERSIBLE PLATE COMPACTOR



Products Description

Reversible Plate compactor for soil compaction (UNI 150)

The Unicorn reversible plate compactor is ideal for smaller jobs like trenches, retaining walls & other narrow areas or tight areas .

The Vibratory Plate Compactor (Reversible) is designed for compacting loose, granular soils, gravel, paving stones & asphalt. It is intended to be used in confined areas & areas next to structures such as walls, curbs, & foundations. Plate Compactors with water tank can be used for compacting asphalt.

The Plate compactor is not recommended for the compaction of cohesive soils with heavy clay content. For cohesive soils, use a Tamping Rammer.

Advantage

- Reverse plate compactor makes it more convenient to operate.
- Ductile iron base plate provides better durability.
- Open plate provides self cleaning.
- Radius base plate for easy access to corners.
- Sealed belt cover to prevent sand and soil in.
- Heavy-duty shock mounts reduce vibration to the upper engine & handle.
- Plate compactor with wear-resistant base plates open design reduces dirt building.
- Plate compactor with wrap around protection frame protects the compactor from accidental job-site damage.

REVERSIBLE PLATE COMPACTOR



Application :

- Roadside
- Foundation structure
- Compaction asphalt
- Concrete

Special Features



Handle moves to a vertical position for use in tight spaces.



5.5 HP Honda Gx160 engine provides high power and low fuel consumption.



3 3/16in. x 14 3/4in. compacting plate is ideal for smaller jobs.

Technical Parameters

DESCRIPTION	METRIC
Weight	160 Kg
Dimension (l*w*h)	800*500*1000mm
Compacting plate size (l*w)	700*370mm
Centrifugal force	30KN
Engine	Air-cooled, 4-cycle, Gasoline, Diesel
Electrical Power	7.5 Kw
Type	Honda GX160 / Greaves Engine Electrical
Max. output Engine (Kw/hp)	5.5hp/6.5hp
Max. speed	3600 rpm
Fuel tank	3 -5 Ltr.
Vibration Frequency	50 hz
Depth Effect (Depending on type of soil)	16 in.
Area of Compaction	20,000 Sqft/hr.
Walking Speed & Model	0-4Kmph & Forward/ Backward

TAMPING RAMMER



Product Description

Honda engine vibrating tamper rammer for soil compaction (UNI 100)

Unicorn Gasoline Tamping Rammer feature the best forward-movement in the industry, helping contractors in all applications work productively and ultimately achieve compaction targets. The forward-moving ability makes them the tool of choice for contractors and rental agencies. The rammer also are so easy to use that operators of all experience levels are able to perform productively. They are more comfortable, too, because of the reduced-vibration handle. That lessens fatigue and ultimately proves to be another productivity booster. Unicorn Gasoline Tamping Rammer is used for tamping of engineering foundation and groove backfill in the field of road, public project, gas, water delivery, railway and so on.

Advantage

- HONDA engine, excellent performance. Tamping Rammer
- High strength spring, large amplitude jump and strong pounding power.
- High strength base plate design, the hardness and softness is moderate, which is durable.
- The noise reducing cover lowers the amount of engine and shoe noise transmitted to the operator.
- The large capacity and corrosion-proof fuel tank is equipped with a self cleaning in-tank filter. That means long service life and minimum maintenance.
- For added operator convenience, a single lever controls start-up, speed and engine shut-off.
- The handle, the height, proper shoes and a low center of gravity that enables control make the Unicorn Gasoline Tamping Rammer easy to operate regardless of experience level.
- The shoes are easy to switch, too; all that's required is the removal of four screws.
- A reduced-vibration handle prevents operator fatigue. In addition, the handle can be gripped from all sides, enabling easy access to tight spaces. The operator can turn the machine 180 degrees to reach tight areas while maintaining optimal control of the rammer at all times.
- A patented process enables rammer height to be easily adjusted, a significant benefit as the operator attempts to maximize manoeuvrability and comfort throughout the shift.

TAMPING RAMMER



Application

- Trench compaction
- Back filling
- Pipe work
- Foundation work
- Patch work on roads
- Confined areas

Special Features

Honda Engine, 5.5Hp Horse Power, Easy to Change Spare Parts & Lower Cost

High Quality Aluminum Alloy Box, Impact Resistance, Long Working Time

Original Import Dust Cover, Strong & Durable



Technical Parameters

DESCRIPTION	METRIC
OPERATING WEIGHT	83Kg
DIMENSION (l*w*h)	900*510*1150mm
SHOE SIZE (w*l)	335*285mm
FORWARD SPEED	10-13m/min.
JUMPING STROKE	350*150*1.5mm
DIAMETER OF FINISH DISC	40-80mm
ENGINE MODEL	GX160/GX200
IMPULSE FORCE	14KN
FUEL CONSUMPTION	1.2 l/h
FUEL TANK CAPACITY	3.0 ltr.
OIL TANK CAPACITY	0.7 ltr.

WALK BEHIND ROLLER



UNI 600



Products Description

UNICORN EQUIPMENT A UNIT OF M/S GLOBAL LINKS is a unique name, which is engaged in presenting a Walk behind Double Drum Vibratory Roller is modern compact design for use in a wide range of compaction application. Hydraulic with integrated travel control eases the operating effort required for movement. The famous Unicorn Walk behind Double Drum Vibratory Roller has the vibratory source located in the drum which provides maximum compaction and traction performance. The UNI 600 is suitable for operation on various types of soils in tropical conditions.

Advantage:

- Equipped with Brand-name Power, Superior Performance, Easy to Start.
- Operating radius is small, In an extremely Narrow area operations.
- Use of domestic Brand name hydraulic pumps, motors, before and after the road, easy to operate.
- Lengthened armrest, Steering Convenience, Can adapt to different height of the operation.
- Surface spray, Beautiful and beautiful, Rust & corrosion.
- Infinitely variable Speed Control.
- Hydraulic Vibration Drive.
- Water Sprinkler System Drum Scrappers.
- Hydraulic Vibration control.
- High Gradient Capacity.

Optional Features:

- Electrically operated
- Self-Steering arrangements

WALK BEHIND ROLLER



Application Areas :

- Municipal
- Highway pavement maintenance operations
- Culverts, Trench base & backfill
- Construction and plaza construction in the compaction
- Edges of highway, Construction & repairing of roads
- Embankments & Compaction canals
- Private Roads & Hilly terrains with sharp Bends
- Rolling lawns, Playground & Parking lots etc.



User-Friendly:
Vibration-reducing handle.
Easy Handling
Push stop is standard



Reliable Operation:
Powerful engine for
reliable operation

Technical Parameters:

Description	Metric
MODEL	UNI 600
Engine Brand	Greaves Diesel Engine/Changfa/ Honda
Engine Model	1510 electric start/186 Electric start
Engine Type	Air-cool Diesel / Gasoline
Power	5.76 hp - 9 hp
Drive Model	Mechanical Drive
Walking Model	Forward & Back
Vibratory Clutch Method	Automatic
Centrifugal Force/ Exciting Force	25 kn
Rotating Speed	2200-3000 rpm
Fuel Capacity	6 ltr.- 8 ltr.
Lubricating Oil	36 no. Hydraulic oil
Static Load	45N/CM
Vibration Frequency	70 Hz
Nominal Amplitude	0.6mm
Area of Compaction	25000 sq.ft./hr.
Theoretical Climbing Ability	30%
Hydraulic Oil Tank Capacity	18 ltr.
Water Tank Capacity	35 ltr.
Watering System	Gravity Sprinkle system
Wheel Size	600* 420mm*2
Package Size	1350*750*1150 mm
Weight	660 kgs.

RIDE ON ROLLER



UNI 880



UNI 1000



Products Description

In accordance with advanced market developments, we are offering a wide assortment of Hydrostatic Roller, which is designed for finish layers of asphalt as well as granular sub base material in confined areas. Apart from this, this is ideal for parking lots, driveways, and shoulder work. These products are offered to the clients at very affordable and reasonable rates within the committed period of time. Features: Compact design Easy to use High performance Additional Advantages: Pressurized water system offers consistent water flow. An eight-position timer allows the operator to adjust water flow and match conditions overall machine design eliminates overhang of unit. Easily maneuverable units provide flush, right up to the edge asphalt compaction Rear platform and front hood tilt up for easy access and improved machine serviceability. The compliant rollers feature a reliable Greaves diesel engine for high performance and standard foldable ROPS for easy transport and storage Ergonomically designed operator's platform features a fully adjustable suspension seat for maximum comfort and the sloped hood allows for excellent visibility Designed for compacting base and finish layers of asphalt as well as granular sub base material in confined areas. Ideal for parking lots, driveways and shoulder work.

Application

Small Road Roller is used for compaction of asphalt surface, compaction of Gravel sand and other projects the ride -on vibratory rollers are small size vibratory roller.

RIDE ON ROLLER



UNI 880



UNI 1000



Products Specification

Description	Metric	
	UNI 880	UNI 1000
Model	UNI 880	UNI 1000
Weight	800 Kgs	1000 Kgs
Capacity of Water Tank	35 Ltr.	60 Ltr.
Capacity of Oil Tank	3.6 Ltr.	19 Ltr.
Walking Speed	0-4 km/h	0-5 km/h
Turning Radius	2000mm	2500mm
Starting way	Electrical Starting	Electrical Starting
Drive Model	Mechanical	Hydraulic
Walking Model	Forwarding & Back	Forwarding & Back
Wheel Size	750* Ø 560mm (Forward) 500* Ø 560mm (Back)	800* Ø 560mm (Forward) 800* Ø 560mm (Back)
Vibrating Clutch Method	Electromagnetic	Electromagnetic
Centrifugal Force	35 KN (3.5 TON)	50 KN (5 TON)
Vibration Frequency	70 Hz	70 Hz
Grade Ability	30%	30%
Package Size	2000*900*1400mm	1900*920*1500mm
Engine	Diesel / Petrol Engine	Imported Diesel Engine
Engine Type	Greaves Air Cool Diesel	Air Cool Diesel
Fuel Consumption	200g/KWH	280g/KWH
Compaction Area	40000 Sq Ft P/h	50000 Sq Ft P/h

CONCRETE TRUSS SCREEDS



Products Description

Unicorn truss screeds are designed for precise strike-off and consolidation of concrete surfaces where critical flatness are desired. The bolted construction throughout the screed sections allow for fast assembly without special tools. The T-bolt adjuster provides quick, precise adjustments for flat, crowned or inverted strike-off.

Special Features

- High strength and light weight aluminum truss, reducing intensity of labor.
- Fast connect system for assembly without special tools by one person.
- Available length: 4-18 meters.
- One side winches for one person operation

CONCRETE TRUSS SCREEDS



Technical Parameters

Description	Metric
Power Section	HP30
Length (m)	3.1
Beam width (mm)	355
Height (mm)	475
Weight (kg)	92
Engine type	Honda GX270/ Electrical
Max. output kw(hp)	5.5 HP/ 7.0 Hp (9.0 Kw)
Max. speed (rpm)	3600
Fuel tank (liter)	6.0
Center Section	HC15
Length (m)	1.5
Beam width (mm)	355
Height (mm)	475
Weight (kg)	26
End Section	HE 15
Length (m)	1.5
Beam width (mm)	355
Height (mm)	475
Weight (kg)	30

RIDE ON POWER TROWEL



Products Description

Unicorn 1m concrete ride on power trowel machine could greatly increase concrete smoothing and finishing work efficiency for surface of concrete raised paste and trowel, smooth out. Widely used in building large area ground like factory, warehouse, road and square.

Unicorn Ride-on concrete power trowel could greatly increase work efficiency for surface of concrete raised paste and trowel, smoothing. Widely used in building large area ground like factory, warehouse, square and so on.

Special Features

- Ride-on operation reduces intensity of labor and increase efficiency of work.
- With dual rotor, much heavier weight and much better compaction, the efficiency is higher than walk behind power trowel.
- A non-overlapping is designed for two pans working.
- Mechanism type steering system with rapid response and easy control.
- Low barycenter design provides stable operation.
- A strong power supplied by Honda or Kohler gasoline engine.
- Safety switch can shut off the engine immediately and ensure the maximum security.
- Sprinkler is available, slowing down the concrete drying.
- Fixed wheels for easy transportation.

RIDE ON POWER TROWEL



Technical Parameters

Description	Metric
Engine	Honda GX690
Power	17.1kw/23hp
Working Diameter	1890 mm
Blade quantity	8
Fuel tank	12L
Engine rotating speed	3600rpm
Pan rotating speed	70-150
Dimension	L1980*W1020*H1500 mm
Weight	338kg

POWER TROWEL



Products Description

Unicorn concrete finishing power trowel machine is widely used for concrete surface finishing and smoothing work of high-standard workshop, warehouse, parking lot, square, airport, concrete road and frame style building. The working efficiency of the float machine is much higher than the formal manual trowel. Unicorn walk behind concrete power float trowel machines are durable and high efficiency. They are powered by Honda GX270 gasoline engine. The 24inch trowel blades are made of 2.0mm thickness spring steel. The float trowel pan is made of 3.0mm thickness manganese steel and it help the machine have years of high performance. And, our high strength steel handle provides maximum comfort and control.

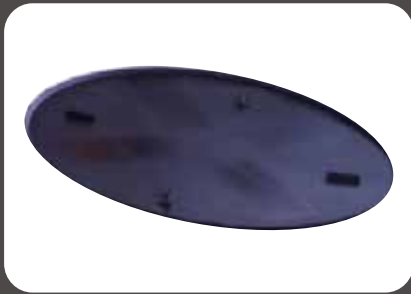
Features

- Independent rotating flywheel, allowing operation in tight corners and in confined spaces.
- Over-built gearbox assures long service life.
- Height adjustable handle, assures operator comfort & easy control.
- Screw control ensures precise blade adjustment.
- Heavy type clutch make "leave" and "close" closely.
- Aluminum reducer case is not only light, but also has best heat radiating function.

POWER TROWEL

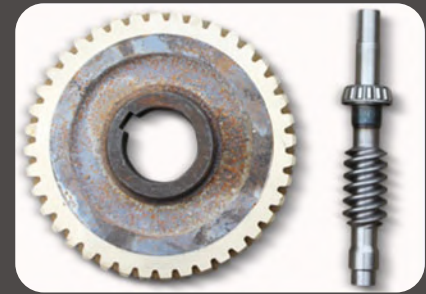


Special Features



Trowel Pan

Unicorn concrete power trowel pan is made of 3mm thickness manganese steel. It protects the trowel blades and make the machine more durable, working life time is over 5000m.



Gear

Gear is made of pure copper. The worm gear and endless screw design make them.



Reducer

The reducer of our concrete towel is Aluminum body reducer. It is not only light, but also has best heat radiating function.



Clutch

Heavy type Clutch make "leave" and "close" completely.

Technical Parameters

Description	Matric
Weight (kg)	120
Dimension (mm)	L2080 X W1250 X H1020
Working diameter (mm)	1170
Working Speed (rpm)	70 - 125
Engine	Air-cooled, 4-cycle, Gasoline
Type	Honda GX160, 3 HP Crompton Motor
Max. output kw(hp)	5 Hp
Max. speed	3600 Rpm
Fuel tank	3 Ltr.
Blade & Pan Qty.	4Pcs & 1 Pcs.

CONCRETE VIBRATORY PAVER



Products Description

Unicorn Concrete triple tube roller pavers with vibrators is the most advanced machine used for all kinds pavement, road, square, airport to make the road smoothing. It is specially designed for road construction. It is a combination of the concrete roller paver and concrete vibrators. This unique design helps the machine to reduce large quantity needs of labors and highly improved the working efficiency.

Application

Unicorn concrete triple tube roller paver is the most advanced machine used for all kinds pavement, Road, square, airport to make the road smoothing. It is specially designed for road construction. It is a combination of the concrete roller paver and concrete vibrators. This unique design helps the machine to reduce large quantity needs of labors and highly improved the working efficiency.

Special Features

- The Concrete Vibrator Paver is the combination of concrete roller paver and concrete vibrators. Highly improved the efficiency of road construction.
- Customized concrete vibrator paver, the length of the machine will be designed according to the needs of our customer, 3-8m are all available.
- 50cm-distance between every two vibrators.
- Meet strict flatness and levelness specifications.
- Easy operation helps to reduce large quantity needs of labors.

CONCRETE VIBRATORY PAVER



UNICORN EQUIPMENT
Build Your Way Better



Technical Parameters

Engine	Engine Model	Electric Motor	380 V / 50 HZ
	Vibrator Motor Power	Kw	1.5
	Lifting Motor Power	Kw	1.5
	Traveling Motor Power	Kw	3
	Auger Motor Power	Kw	4
Main Performance Parameters	Traveling speed	M/Min.	0-5
	Working width	Mtr.	3-8 (customized)
	Diameter of roller	Mm.	219
	Roller Rotation	RPM	36
	Max Paving thickness	Mm.	300
Vibrators Details	Quantity	Unit	6-12
	Diameter	Mm.	50
	Length	Mtr.	2
	Distance between two vibrator	Mm.	500
Performance	Max. Rotate Speed	RPM	3600
	Screed Length	Mtr.	4-18
	Dimension	Mm	L*400*960
	Travel Speed	Mtr./Min.	8-10

SUSPENDED PLATFORM



UNICORN EQUIPMENT
Build Your Way BETTER



UNI 800

Products Description

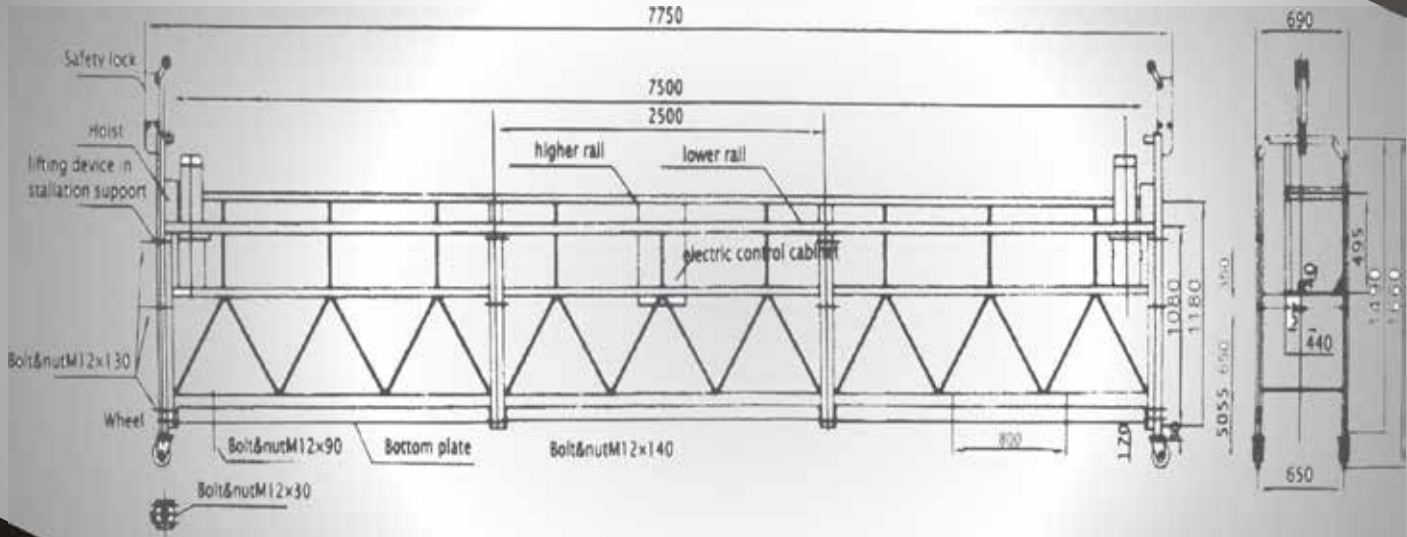
Unicorn now brings to India the most advanced Rope Suspended Platform Hoist. With features like safety lock model, advanced Electrical control system with anti-tilting, rope break, high quality steel wire rope and optional overload sensor. Also referred to as Gondola, these hoists are used for maintenance and decoration of the outer parts of high rise building. A rope Suspended Hoist can also be described as a temporary structural attached to the building for alteration and demolition of the construction. Gondolas are widely used for repairing work, maintenance of a building, installing the billboards on high rise towers, welding, cleaning and painting for large ships and more. Unicorn India uses high quality materials like stainless steel and aluminium to manufacture these suspended rope platform hoists. A stringent quality check is done to ensure the strength parameters and provide just the very best to the customers.

Suspended Platform Systems provide temporary access to heights - for building maintenance, at construction sites or in industrial environments. Unicorn Platform offers modular Suspended Platform Systems which are incredibly easy to assemble. Our system offers superior stability and easily fits inside the back of medium-sized van.

SUSPENDED PLATFORM



UNICORN EQUIPMENT
Build Your Way BETTER



Technical Parameters: UNI 800 PLATFORM

	Platform Dimension mm	(1500+1500+2000+2500) x 700 x 1100	
Suspension Mechanism (mm)	Projecting Length	1300-1500 (adjusting distance 200) mm	
	Adjustable Height	1200-1600 (adjusting distance 100) mm	
	Length	6000	
Weight	Platform	335 kg	
	Suspension Mechanism	210 kg (without counter weight)	
	Hoist	Type	LTD80
		Capacity	1.8 kw
		Voltage	380 v
		Speed	8-10 m/min
		Rated Lifting Force	8 KN
	Safety Box Specification	Hoist Weight	48 kg x 2
		Type	LSF30
		Permission Force of Impact	30 KN
		Locking Cable	3°-8°
		Weight	5.5 kg x 2
		Electrical Control Box	14 kg
	Steel Wire Rope (4x31-Ø 9.1)	4 rope * 25 kg	
	Electric Wire (4x50)	22 kg	
	Safety Rope	13 kg	
	Complete Machine (without count weight)	800 kg	
	front basket fence height	1050mm	
	back basket fence height	1200mm	

VIBRATORY SCREED



Products Description

Unicorn vibratory screed is specially designed to improve the surface levelness of concrete floor or concrete road. Our concrete floor screed could be easily operated and greatly improve working efficiency. It's widely used in improving concrete surface levelness of standard factory, warehouse, parking lot, plaza, frame type building, residential housing interior floor and so on. Unicorn concrete vibratory screeds are mainly used to promise exact flatness tolerances of concrete surface. It's specially designed to improve concrete floor or pavement levelness. Compared to the hand screed tool, it makes the concrete surface levelness better and has higher efficiency. Our vibratory screeds are powered by Honda gx35 gasoline engine, and the standard length of screed blades is 2.0 m. The blade length is optional, it can also be 3.0 m, 4.0m too.

Special Features

- High speed and efficiency, easy for operating. Strickling and vibrating finish together.
- Operator can adjust the impact force and vibrating frequency by the manual accelerograph at any moment.
- The compacted concrete surface don't need to sprinkle dry cement when polishing. It reduce the cost and improve the efficiency greatly.
- Aluminum alloy blade is more durable and light weight.
- Can avoid the situations such as concrete surface empty, knob and split which usually appear after concrete surface construction.

VIBRATORY SCREED



Unique Design

Unique bracket design makes it more convenient for the operators when they used the machine. One more handle is specially designed to make it easier to move the machine.



Engine

Use Honda GX35, the quality is reliable. Honda brand engine insured that the screeds are more durable, have less problems and better performance.



Screed Blade



Aluminum alloy blade is light weight and high durability. The blade is fixed on the machine frame by bolts. It's more convenient to be changed and easy to operate.

Technical Parameters

Description	Metric
Weight (kg)	25
Dimension (mm)	3000- 4000 L X W1400 X H960
Drive system	2000 Flexible Shaft
Engine	Honda GX 35
Type	Air-cooled, 4-cycle, Gasoline
Max. output kw(hp)	1.2 Hp
Max. speed	5200 Rpm
Fuel Tank	0.65 Ltr.

www.karmaexports.in

.....

KARMA
EXPORTS

.....

KARMA EXPORTS

*50, Maddox Street, Near Veterinary College,
Vepery, Chennai - 600 007, South India.*

e mail : info@karmaexports.in

Tel : +91 44 2661 0819

Call : +91 97908 40995, +91 7708370525, +91 86759 99222

web : www.karmaexports.in